

NITRO SHOCKS/HYDRAULIC SHOCKS

NITRO SHOCKS

The New Zone Nitro Series shocks absorber offers the ultimate in control and performance. The full displaced valving offers a better valving range on both the compression and extension travel. This vehicle specific valving is pressurized with a low pressure nitrogen gas. This gas charge ensures split second response and reduced aeration. Combine these features with the special Fluon banded piston and this shock is built to perform!

NITRO shocks



FEATURES

- Nitrogen Gas Charged Shock
- Twin Tube Design
- 10 Stage Velocity Sensitive Valving
- Heavy Duty Chromed Shaft
- 1-3/8" Fluon Banded Piston
- Self Lubricating Seals
- Full Displaced Valving
- Dual Welded Ends

HYDRAULIC SHOCKS

Expanded twin tube design provides increased fluid capacity for reduced internal temperatures. Zone shocks are custom valved for each application ensuring a comfortable yet controlled ride both on and offroad.



FEATURES

- Twin Tube Hydraulic Shocks
- Progressive 10 Stage Velocity Sensitive Valving
- 5/8" Hardened And Double Chromed Rod
- 1 3/8" Diameter Piston
- Double Welded Eyelet
- Internal Rebound Bumper
- Urethane Bushings
- Dual Welded Ends

SHOCK BOOTS \$3.50

These all-weather convoluted boots help to protect the life span of your shocks. By protecting the seal and shock rod, these boots prevent debris from causing oil leaks, and keep your shocks in optimal working condition whether your vehicle is used as a daily driver or an off road mud machine. These boots are designed for 2 3/8 shock bodies, but can be cut to fit smaller shock or stabilizer cylinders if needed.

Black	ZONU3100
Red	ZONU3101
Blue	ZONU3102
Yellow	ZONU3103



Model	Year	Front Lift	Hydro	Nitro	Rear Lift	Hydro	Nitro
CHEVY/GMC							
Pickup 1500 (2/4WD)	2007-16	2" 6.5"	n/a n/a	n/a n/a	0-2" 3-4"	4719 4759	7719 7759
Pickup 1500 (4WD)	1999-06	0-2" 6"	4612 4602	7612 7602	0-2" 5"	4719 4759	7719 7759
	1988-98	0-2" 6"	4601 4600	7601 7600	0-2" 5"	4608 4609	7608 7609
Pickup 2500HD/3500HD (4WD)	2011-16	0-2" 3" 5"	n/a n/a n/a	7603 7624 7613	0-2" 2" 3"	4757 4757 n/a	7757 7757 7759
Pickup 1500HD/2500 NON-HD (4WD)	2001-06	6"	4605	7605	5"	4759	7759
Pickup 2500HD/3500HD (2/4WD)	2001-10	0-2" 2-3" 6"	4615 4616 4605	7615 7616 7605	0-2" 2-3" 5"	4757 n/a 4759	7757 n/a 7759
Blazer, Jimmy, Suburban (1/2 & 3/4 Ton - 4WD)	1988-91	4" 6"	4610 4652	7610 7652	4" 6"	4639 4639	7639 7639
Pickup (1/2 & 3/4 Ton), Blazer, Jimmy, Suburban (4WD)	1973-87	4" 6'	4610 4652	7610 7652	4" 6"	4639 4639	7639 7639
Suburban, Tahoe, Yukon, Avalanche 1500 (4WD)	2007-12	2" 6.5"	n/a n/a	n/a n/a	0" 6"	4719 4759	7719 7759
	2000-06	0-2" 6"	4612 4602	7612 7602	0" 6"	4719 4759	7719 7759
Tahoe, Yukon, Suburban 1500 (4WD)	1992-98	0-2"	4601	7601	0-2"	4608	7608
Suburban, Avalanche 2500 (4WD)	2001-06	6"	4605	7605	5"	4759	7759
Colorado/Canyon (4WD)	15-16	5.5" 5.5"	n/a n/a	n/a n/a	3" 4"	4757 4757	7757 7757
	2004-12	n/a	n/a	n/a	0-2"	4607	7607
DODGE							
Ram 1500 (4WD)	2009-16	4" 6"	n/a n/a	n/a n/a	2-3" 5"	4757 4759	7757 7759
	2006-08	4" 6"	n/a n/a	n/a n/a	2" 4"	4757 4769	7757 7769
	2002-05	5"	4711	n/a	3"	4769	7769
	1994-01	2-3" 2-3" 5"	4700 4700 4752	7700 7700 7752	0" 2" 4-5"	4719 4757 4761	7719 7757 7761
Ram 2500 Pickup (4WD)	2014-16	2" 4" 4.5" 5.5-6.5"	4710 4700 4742 4742	7710 7700 7742 7742	0" 2.5" 2.5" 4.5-5"	4700 4758 4758 4756	7700 7758 7758 7756
Ram 3500 Pickup (4WD)	2013-16	2" 4" 4.5" 5.5-6.5"	4710 4700 4742 4742	7710 7700 7742 7742	0" 3" 3" 5"	4759 4759 4759 4761	7759 7759 7759 7761
Ram 2500/3500 Pickup (4WD) (including 06-08 Mega Cab 1500)	2003-12	2-3" 5" 6" 8"	4700 4750 4750 4751	7700 7750 7750 7751	0" 3" 4" 5"	4759 4761 4761 4761	7759 7761 7761 7761
	1994-02	2-3" 5"	4700 4750	7700 7750	0" 4-5"	4719 4761	7719 7761
FORD							
F150 (2/4WD)	2009-16	2" 4" 6"	n/a n/a n/a	n/a n/a n/a	0-2" 2" 5"	4760 4828 4763	7760 7828 7763
F150 (4WD)	2004-08	2" 4" 6"	n/a n/a n/a	n/a n/a n/a	0" 2" 4"	4650 4760 4763	7650 7760 7763
	1997-03	2" 6"	4805 4804	7805 7804	0-2" 5"	4850 4860	7850 7860
Expedition (4WD)	1998-02	2" 6"	4805 4804	7805 7804	n/a 5"	n/a 4628	n/a n/a
F250/F350 Super Duty (4WD)	2005-16	1-2" 4" 6"	4710 4712 4750	7710 7712 7750	0" 1-3" 4-5"	4760 4763 4763	7760 7763 7763
	1999-04	0-1" 4" 6"	4620 4651 4760	7620 7651 7760	0-2" 3" 4"	4760 4763 4763	7760 7763 7763
Excursion (4WD)	2000-05	4" 6"	4620 4651	7620 7651	3" 4"	4762 4764	7762 7764
JEEP							
JK Wrangler	2007-16	2" 3" 4" 5"	4710 4700 4700 4952	7710 7700 7700 7952	2" 3" 4" 5"	4951 4951 4959 4959	7951 7951 7959 7959
TJ Wrangler	1997-06	2" 3-4"	4979 4965	7979 7965	2" 3-4"	4975 4980	7975 7980
YJ Wrangler	1987-95	2" 4"	4945 4955	n/a n/a	2" 4"	4900 4950	n/a n/a
WK Grand Cherokee	2005-07	4"	n/a	n/a	4"	4977	n/a
WJ Grand Cherokee	1999-04	4"	4978	7978	4"	4971	7971
ZJ Grand Cherokee	1993-98	2" 4"	4979 4965	7979 7965	2" 4"	4950 4920	7950 7920
XJ Cherokee	1984-01	2" 3" 4.5"	4979 4965 4965	7979 7965 7965	2" 3" 4"	4972 4980 4974	7972 7980 7974
MJ Comanche	1986-92	4.5"	4965	7965	4"	4920	7920

SHOCKS, STABILIZERS, DUAL STABILIZERS

SHOCK APPLICATION GUIDE

Model	Year	Front Lift	Hydro	Nitro	Rear Lift	Hydro	Nitro
TOYOTA							
FJ Cruiser (4WD)	2007-10	n/a	n/a	n/a	2"	4879	7879
Tacoma (4WD)	2005-15	n/a	n/a	n/a	2"	4809	n/a
		n/a	n/a	n/a	3"	4954	7954
		n/a	n/a	n/a	4"	4953	7953
Tundra (4WD)	2007-16	n/a	n/a	n/a	2"	4700	7700
		n/a	n/a	n/a	3"	4952	7952

STABILIZER APPLICATION GUIDE

Model	Note	Year	Single Steering Stabilizer				
			White Cylinder		Black Cylinder		
			Part #	Jobber	Part #	Jobber	
CHEVY/GMC							
Pickup 1500 4WD	1	1999-06	3100	\$73.35	7100	\$79.35	
	1	1988-98	3104	\$57.49	n/a	n/a	
Pickup 2500HD/3500HD 4WD	1	2011-16	3103	\$51.95	7103	\$56.95	
Suburban, Tahoe, Yukon, Avalanche 1500 4WD	1	2000-06	3100	\$73.35	7100	\$79.35	
Blazer, Jimmy, Suburban (1/2 & 3/4 Ton - 4WD) OE Replacement		1988-91	3101	\$46.95	7101	\$51.95	
Pickup (1/2 & 3/4 Ton), Blazer, Jimmy, Suburban 4WD OE Replacement		1973-87	3101	\$46.95	7101	\$51.95	
DODGE							
1500 Pickup 4WD	3	2001	3200 or 3203	\$49.95	7200 or 7203	\$54.95	
		1994-00	3202	\$49.95	7202	\$54.95	
Mega Cab 1500 4WD 2500/3500 4WD - OE Replacement		2006-08	3200	\$49.95	7200	\$54.95	
		2014-16 (2500)	3204	\$41.95	7204	\$46.95	
		2009-13 (2500)	3201	\$41.95	7201	\$46.95	
		2013-16 (3500)	3204	\$41.95	7204	\$46.95	
		2009-12 (3500)	3201	\$41.95	7201	\$46.95	
		2003-08	3200	\$49.95	7200	\$54.95	
3	2001-02	3200 or 3203	\$49.95	7200 or 7203	\$54.95		
	1994-00	3202	\$49.95	7202	\$54.95		
FORD							
F150 4WD	2	2004-08	3300	\$99.95	7300	\$104.95	
F250/F350 Super Duty 4WD		1999-04	3301	\$42.25	7301	\$47.25	
Excursion 4WD		2000-05	3301	\$42.25	7301	\$47.25	
JEEP							
JK Wrangler		2007-16	3410	\$46.19	7410	\$51.95	
TJ Wrangler		1997-06	3400	\$39.50	7400	\$44.95	
YJ Wrangler		1987-95	3400	\$39.50	7400	\$44.95	
WJ Grand Cherokee		1999-04	3401	\$45.99	7401	\$50.95	
ZJ Grand Cherokee		1993-98	3400	\$39.50	7400	\$44.95	
XJ Cherokee		1984-01	3400	\$39.50	7400	\$44.95	
MJ Comanche		1986-92	3400	\$39.50	7400	\$44.95	

Notes:

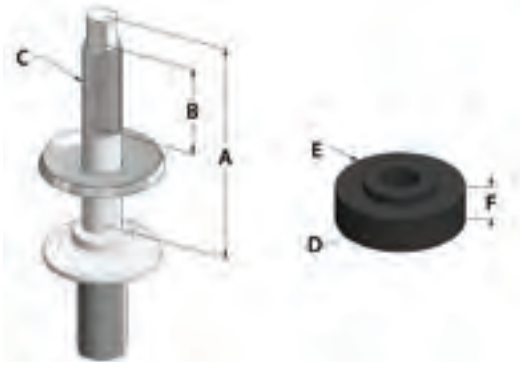
1. Will only work with lift kits NOT using a dropped center link steering system.
2. Intended for use with Zone Offroad 4-6" kits only.
3. 3200/7200 will not work with vehicles equipped with a dropped pitman arm. 3203/7203 designed for vehicles equipped with a dropped pitman arm.

DUAL STABILIZER APPLICATION GUIDE

Model	Note	Year	Dual Steering Stabilizer				
			White Cylinder		Black Cylinder		
			Part #	Jobber	Part #	Jobber	
DODGE							
Pickup 2500/3500		14-16 (2500) 13-16 (3500)	3250	\$89.95	7250	\$99.95	
FORD							
F250 /F350 Super Duty 4WD	4	2005-16	3350	\$175.95	7350	\$185.95	

Notes:

4. Dual stabilizer kit is an end-to-end design, and is only recommended for vehicles with 2" of lift or more.



"S" STEM BUSHING MOUNTING DIMENSIONS

	Code	A	B	C	D	E	F
<i>Nitro/Hydro</i>	S1	2-3/8"	1-1/8"	3/8"-24	3/4"	1-1/4"	1/2"
<i>Hydro Only</i>	S50	3"	1-1/4"	1/2"-20	15/16"	1-5/8"	9/16"
<i>Nitro Only</i>	S12	2-11/16"	3/4"	12mm-1.25"	1"	1 3/4"	5/8"



"BP" BAR PIN MOUNTING DIMENSIONS EB1 WITH BUSHING AND BAR PIN

Code	Style	A	B	C	D
BP7	Closed	3-1/4"	2-1/2"	3/8"	7/16"
BP8	Closed	3-1/2"	2-7/8"	3/8"	7/16"
BP18	Open	3-3/4"	3-1/8"	3/8"	-



"EB" EYELET BUSHING MOUNTING DIMENSIONS

Code	A	B	C	D (Dia)
EB1-A	5/8"	1-7/16"	15/16"	1-7/16"
EB1-B	5/8"	1-1/2"	15/16"	1-7/16"
EB1-C	3/4"	1-7/16"	15/16"	1-7/16"
EB1-D	3/4"	1-5/8"	15/16"	1-7/16"
EB1-E	5/8"	1-1/4"	15/16"	1-7/16"
EB2	3/4"	1-3/8"	1-1/4"	1-3/4"

P/N	Ext. Length	Coll. Length	Tube Dia.	Upper Mount	Lower Mount
4600	24.84	15.00	2	EB1-B	EB1-C
4601	19.50	13.17	2	EB1-B	EB1-C
4602	21.50	13.75	2-3/8	S1	U-BRKT
4605	22.18	13.37	2	S50	EB1-C
4607	23.20	14.17	2-3/8	EB1-A	EB1-B
4608	26.20	15.67	2-3/8	BP8	EB1-A
4609	30.95	18.18	2-3/8	BP8	EB1-D
4610	23.20	14.17	2-3/8	EB1-A	EB1-A
4612	16.57	10.99	2-3/8	S1	U-BRKT
4615	16.27	10.50	2	S50	EB1-C
4620	23.20	14.17	2-3/8	EB1-A	EB1-B
4628	26.20	15.80	2-3/8	EB1-A	EB1-A
4639	29.78	17.59	2-3/8	EB1-A	EB1-D
4650	26.20	15.67	2-3/8	EB1-B	EB1-B
4651	27.91	16.55	2-3/8	EB1-B	EB1-A
4652	26.20	15.80	2-3/8	EB1-A	EB1-A
4700	25.22	15.22	2-3/8	S50	EB2
4710	22.50	13.50	2-3/8	S50	EB2
4711	21.32	14.64	2	S1	EB1-D
4712	24.50	14.50	2-3/8	S50	EB2
4719	26.20	15.67	2-3/8	EB1-D	EB1-D
4742	27.40	16.20	2-3/8	S50	EB2
4750	27.40	16.22	2-3/8	S50	EB2
4751	29.43	17.24	2-3/8	S50	EB2
4752	26.20	15.60	2-3/8	S1	EB1-D
4756	27.90	16.60	2-3/8	Special	EB1-D
4757	27.91	16.55	2-3/8	EB1-D	EB1-D
4759	29.78	17.59	2-3/8	EB1-D	EB1-D
4760	29.78	17.59	2-3/8	EB1-B	EB1-A
4761	33.00	19.27	2-3/8	EB1-D	EB1-D
4762	29.78	17.59	2-3/8	BP8	EB1-B
4763	33.00	19.27	2-3/8	EB1-B	EB1-B
4764	33.00	19.27	2-3/8	BP8	EB1-B
4769	30.95	18.17	2-3/8	EB1-D	EB1-D
4799	29.78	17.59	2-3/8	EB1-C	EB1-C
4804	21.32	14.64	2	S50	EB1-D
4805	17.48	10.92	2-3/8	S1	EB1-A
4809	26.42	15.39	2	S1	EB1-A
4828	31.00	18.20	2-3/8"	EB1-B	EB1-B
4850	26.17	15.55	2-3/8	S1	EB2
4860	29.82	17.57	2-3/8	S1	EB1-A
4879	25.22	15.22	2-3/8	S50	EB2
4900	21.70	13.42	2	EB1-A	EB1-A
4920	25.95	15.42	2	EB1-A	EB1-B
4945	26.42	15.39	2	S1	EB1-B
4950	22.95	14.67	2	EB1-A	EB1-B
4951	25.95	15.42	2	BP18	EB1-A
4952	27.45	16.17	2 3/8	S50	EB2
4953	29.8	17.6	2-3/8	S1	EB1
4954	26.2	15.6	2-3/8	S1	EB1
4955	28.16	16.43	2	S1	EB1-B
4959	27.91	16.55	2 3/8	BP18	EB1-B
4965	24.66	14.79	2 3/8	S1	BP7
4971	26.20	15.67	2 3/8	EB1-A	EB1-A
4972	21.70	13.42	2	BP18	EB1-A
4974	25.95	15.42	2	BP18	EB1-A
4975	21.70	13.42	2	BP18	EB1-A
4977	29.78	17.59	2-3/8	EB1-C	EB1-C
4978	24.66	14.79	2 3/8	S1	EB1-A
4979	22.92	13.92	2 3/8	S1-BP7	EB1-A
4980	22.95	14.67	2	BP18	EB1-B
7603	19.27	13.52	2-3/8	O.E. BP	U-BRKT
7613	24.40	16.10	2-3/8	O.E. BP	U-BRKT
7624	19.90	14.15	2-3/8	BP	Clevis
7759	29.78	17.59	2-3/8	EB1-D	EB1-D



Equivalent Nitro shocks are the same specifications

